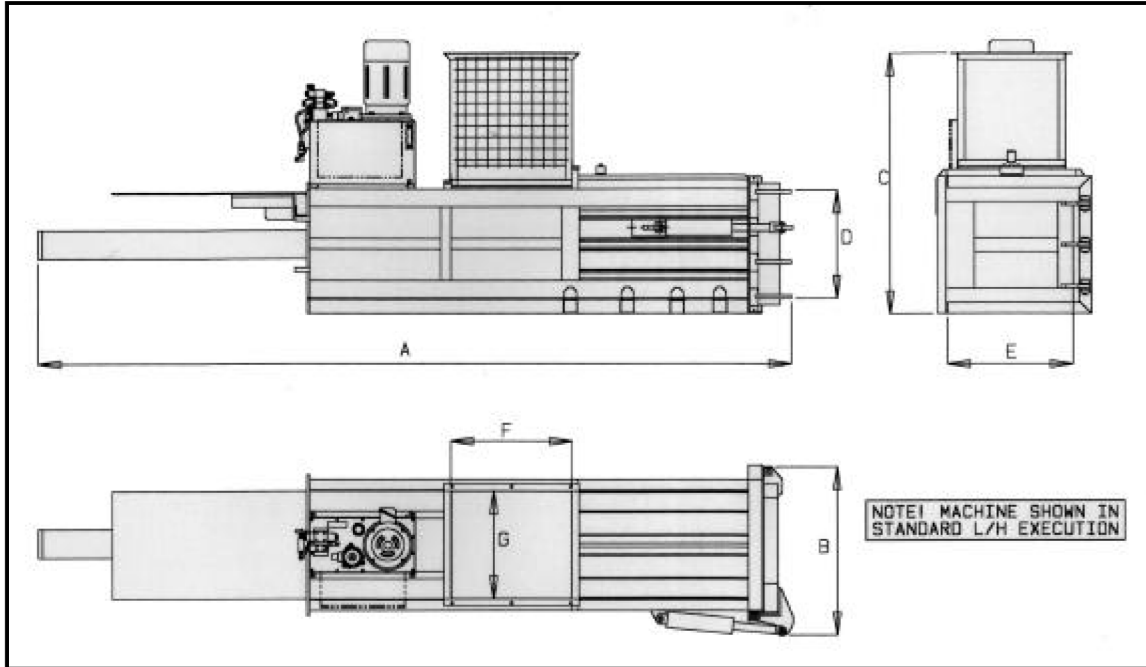


SPECIFICATIONS



MODEL SPECS	A	B	C	D	E	F	G
HBM 3030-35C (mm)	5269	1214	1840	760	706	860	706
(in)	207	48	72.4	30	30	33	30
HBM 3030-35C Series II (mm)	5702	1214	1840	706	706	1000	706
(in)	224	48	72.4	30	30	39	30
HBM 3030-35CX (mm)	5923	1214	1840	706	706	1045	706
(in)	233	48	72.4	30	30	41	30

MODEL CHUTE OPENING	HBM 3030-35C	HBM 3030-35C Series II	HBM 3030-35CX
Expanded Bale Size			
High (mm / in)	762 / 30	762 / 30	762 / 30
Wide (mm / in)	762 / 30	762 / 30	762 / 30
Long (mm / in)	1145 / 45	1145 / 45	1145 / 45
Bale Weight			
P.E.T. Approx. (kg)	180 - 200	180 - 200	210 - 230
(lbs)	405 - 450	405 - 450	470 - 517
Operating Pressure	35	35	45
Machine Capacity / Hr.			
(kg)	400 - 600	600 - 800	800 - 900
Based on Plastic Bottles (lbs)	900 - 1350	1350 - 1800	1800 - 2025
Ram Face Pressure	87	87	112
Cycle Time (No Load)	59	38	38
Electric Motor (kW)	10	30	30
Main Cylinder (mm)	177	177	200
(in)	7	7	8
Bale Tie Straps	3	3	3
Shipping Weight Approx. (kg)	3500	4000	5000

Performance rates, bale weights and bale densities are subject to moisture content, material pre-bale density, method of feeding and other variables in baling.



proudly manufactured by:



246 Grand Junction Road
Athol Park S.A. 5012

Ph: +61 8 8341 0177

Fax: +61 8 8341 1955

Visit our website
www.torqind.com

email: sales@torqind.com

Call Toll Free in Australia
(excluding South Australia)

1800 064 455